

July 10, 1973

E. C. KOERNER ET AL

3,745,138

BONDING COMPOSITION CONTAINING A BLOCKED ISOCYANATE

Filed Aug. 14, 1968

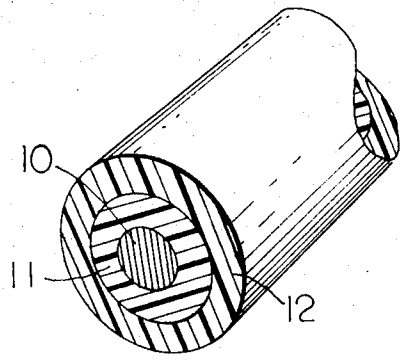


FIG. 1

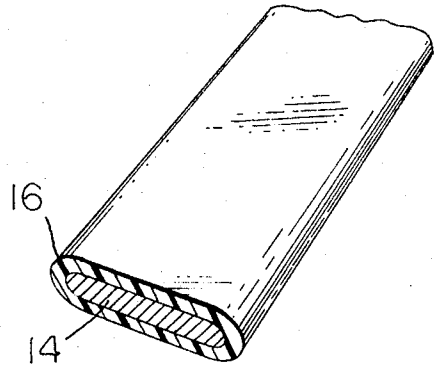


FIG. 2

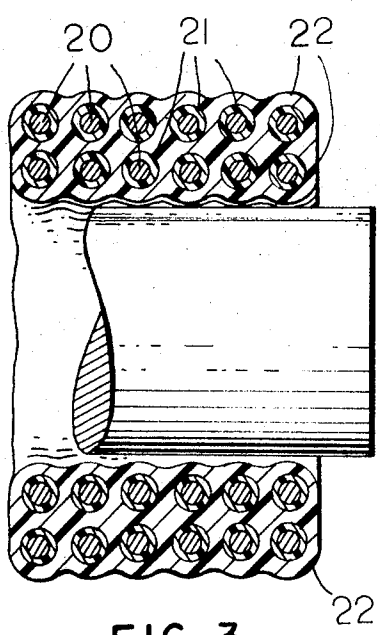


FIG. 3

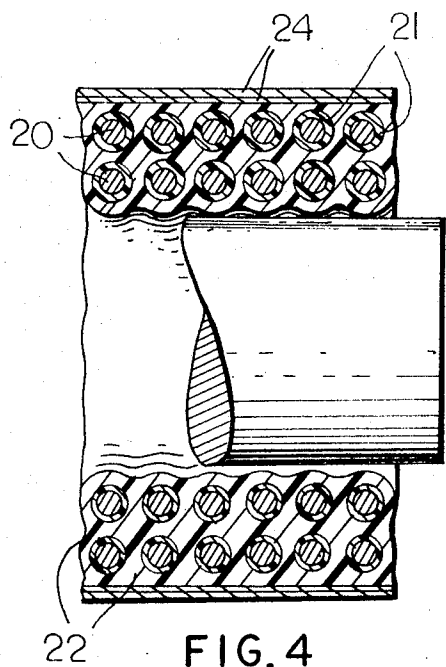


FIG. 4

INVENTORS  
ERNEST C. KOERNER  
RALPH W. HALL  
GEORGE D. WILKER  
WILLIAM W. WAREHAM  
by HOOD, GUST, IRISH & LUNDY  
Attorneys