

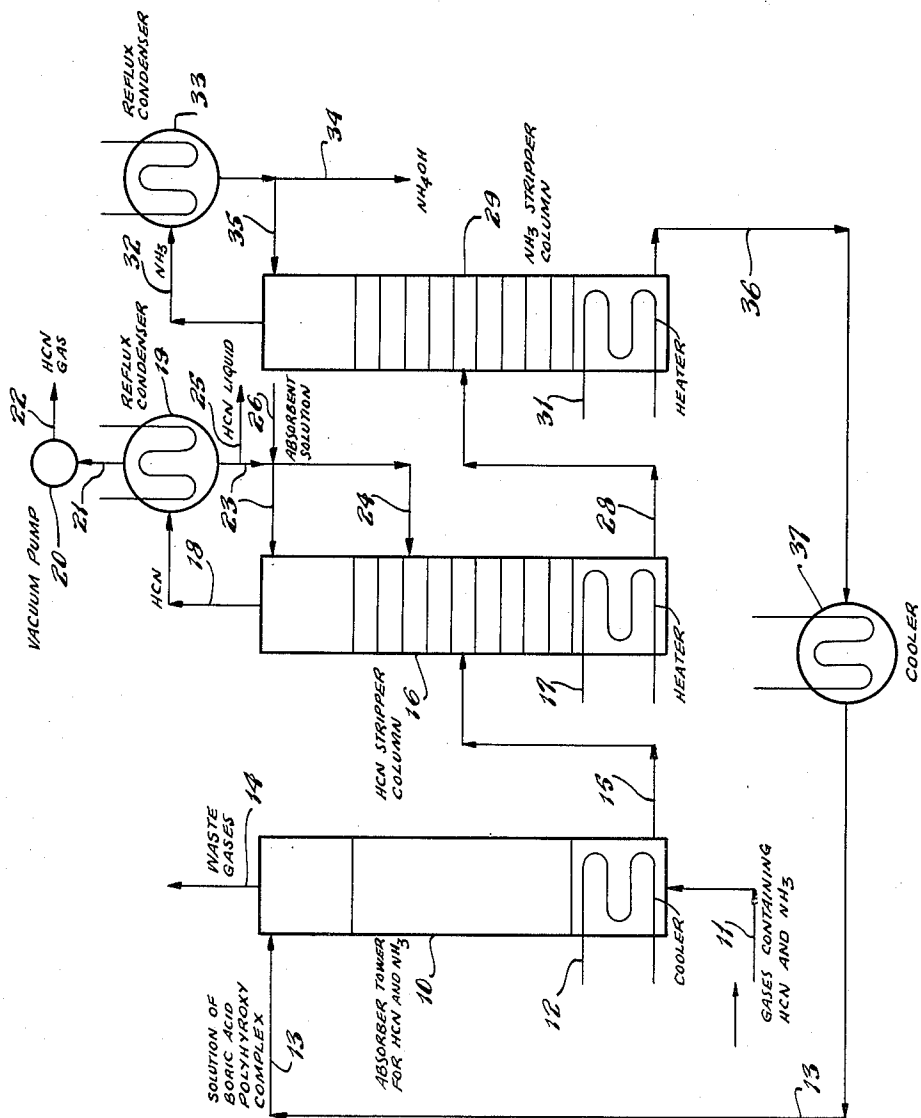
March 25, 1952

G. BARSKY

2,590,146

PRODUCTION OF HYDROGEN CYANIDE

Filed March 24, 1949



INVENTOR.

GEORGE BARSKY

BY

Hammond & Littel
ATTORNEYS